



# Save Water and Extend the life of your Irrigation System. Get up to 50%\* back from your water district!

\$\$\$ Rebate Approved \$\$\$



## Save Water

- Eliminate misting and reduce water usage by up to 20%

## Extend the life of your system

- Lower pressure extends the life of your irrigation system by reducing wear on irrigation pipe, valves and sprinklers

## Rebate Approved

- Water districts around Northern California have rebates up to 50%\* available for the use of the Zurn Wilkins NR3XL

\* Check with your local water district to find the rebate amount available for Pressure Reducing Valves (PRV)  
For a quick reference of which water districts have available rebates for the use of PRV's  
go to [www.JPHgroup.com](http://www.JPHgroup.com)

# Zurn Wilkins Model NR3XL



## Smart Water Technology

July is Smart Irrigation Month, and Zurn Wilkins is here to help you save water, and reduce your water bill by using the NR3XL Pressure Regulating Valve (PRV).

PRV's are simple to install even on existing systems. A PRV allows you to quickly and inexpensively provide pressure control to an entire irrigation system or a single zone.

All sprinklers, valves and drip systems are designed to operate at a specific water pressure. High pressure creates misting, water hammer, and breaks. A reduction in pressure allows for true uniformity, shorter run times, and helps to eliminate system damage. The best part is for every 5 psi reduction in water pressure you use 6% to 8% less water.

Because the PRV is such a great water saving tool, more water districts are giving rebates for their use.

Northern California water districts providing PRV rebates:

- City of Pleasanton
- City of Roseville
- City of Santa Rosa
- East Bay Municipal Utilities District
- Contra Costa Water District
- North Marin Water District
- Placer County Water Authority
- Sacramento Regional Water Authority
- Sacramento Suburban Water Authority
- San Juan Water District
- Town of Windsor

Don't see your water provider? Call them and ask what rebates they have available for Pressure Regulating Devices.

### FEATURES

|   |                                    |
|---|------------------------------------|
| Sizes:                                      | 1/2", 3/4", 1", 1-1/4", 1-1/2", 2" |
| Max. working water pressure (1/2" - 1-1/4") | 400 psi                            |
| Minimum inlet pressure                      | 80 psi as per UPC Code             |
| Max. working water pressure (1-1/2" - 2")   | 300 psi                            |
| Max. working water temperature              | 140°F                              |
| Reduced pressure range (1/2" - 1-1/4")      | 15 to 75 psi                       |
| Reduced pressure range (1-1/2" - 2")        | 25 to 75 psi                       |
| Factory preset                              | 50 psi                             |
| Threaded connections (FNPT)                 | ANSI B1.20.1                       |
| Copper connections (FC)                     | ANSI B16.22                        |
| CPVC tailpiece: Max.hot water temp.         | 140°F @ 100 psi                    |
| Cold water rated temp.                      | 73.4°F @ 400 psi                   |



### STANDARDS COMPLIANCE

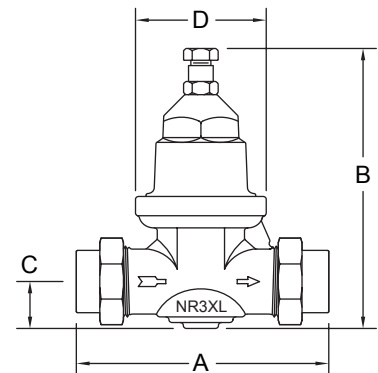
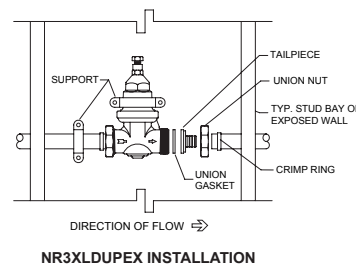
ASSE® Listed 1003  
CSA® Certified

IAPMO® Listed  
NSF® Listed - Standard 61, Annex G

### LEAD PLUMBING LAW COMPLIANCE (0.25% MAX. WEIGHTED AVERAGE LEAD CONTENT)

Lead Plumbing Law Certified by IAPMO R&T Annex G Certified by NSF International

| Size Inches [mm] | Connections       | Dimensions Inches [mm] (approximate) |              |              |             | Weight Lbs. [Kg] |
|------------------|-------------------|--------------------------------------|--------------|--------------|-------------|------------------|
|                  |                   | A                                    | B            | C            | D           |                  |
| 1/2" [15]        | Single Union      | 4-3/8" [111]                         | 6-1/4" [159] | 1-1/8" [29]  | 2-1/2" [64] | 3 [1.5]          |
| 1/2" [15]        | Less Union        | 3-1/2" [89]                          | 6-1/4" [159] | 1-1/8" [29]  | 2-1/2" [64] | 3 [1.5]          |
| 1/2" [15]        | Double Union      | 5-1/4" [133]                         | 6-1/4" [159] | 1-1/8" [29]  | 2-1/2" [64] | 3 [1.5]          |
| 3/4" [20]        | Single Union      | 4-7/16" [113]                        | 6-1/4" [159] | 1-1/8" [29]  | 2-1/2" [64] | 3 [1.5]          |
| 3/4" [20]        | Less Union        | 3-1/2" [89]                          | 6-1/4" [159] | 1-1/8" [29]  | 2-1/2" [64] | 3 [1.5]          |
| 3/4" [20]        | Double Union      | 5-3/8" [137]                         | 6-1/4" [159] | 1-1/8" [29]  | 2-1/2" [64] | 3 [1.5]          |
| 3/4" [20]        | Double Male Meter | 3-5/8" [92]                          | 6-1/4" [159] | 1-1/8" [29]  | 2-1/2" [64] | 3 [1.5]          |
| 1" [25]          | Single Union      | 4-15/16" [125]                       | 6-1/4" [159] | 1-1/8" [29]  | 2-1/2" [64] | 4 [2]            |
| 1" [25]          | Less Union        | 4" [102]                             | 6-1/4" [159] | 1-1/8" [29]  | 2-1/2" [64] | 3.5 [1.6]        |
| 1" [25]          | Double Union      | 5-15/16" [151]                       | 6-1/4" [159] | 1-1/8" [29]  | 2-1/2" [64] | 4.5 [2.1]        |
| 1" [25]          | Double Male Meter | 4" [102]                             | 7-3/4" [197] | 1-3/16" [30] | 3" [76]     | 4 [2]            |
| 1-1/4" [32]      | Single Union      | 6-3/16" [157]                        | 7-3/4" [197] | 1-3/16" [30] | 3" [76]     | 5.5 [2.5]        |
| 1-1/4" [32]      | Less Union        | 5" [127]                             | 7-3/4" [197] | 1-3/16" [30] | 3" [76]     | 5 [2.3]          |
| 1-1/4" [32]      | Double Union      | 7-3/8" [187]                         | 7-3/4" [197] | 1-3/16" [30] | 3" [76]     | 6 [2.7]          |
| 1-1/2" [40]      | Single Union      | 6-5/16" [160]                        | 8-1/2" [216] | 1-3/4" [45]  | 3-3/4" [95] | 6.6 [3]          |
| 1-1/2" [40]      | Less Union        | 5" [127]                             | 8-1/2" [216] | 1-3/4" [45]  | 3-3/4" [95] | 5.5 [2.5]        |
| 1-1/2" [40]      | Double Union      | 7-1/2" [191]                         | 8-1/2" [216] | 1-3/4" [45]  | 3-3/4" [95] | 7.7 [3.5]        |
| 2" [50]          | Single Union      | 6-1/4" [159]                         | 8-1/2" [216] | 2" [51]      | 3-3/4" [95] | 8.1 [3.7]        |
| 2" [50]          | Less Union        | 5" [127]                             | 8-1/2" [216] | 2" [51]      | 3-3/4" [95] | 6.7 [3]          |
| 2" [50]          | Double Union      | 7-1/2" [191]                         | 8-1/2" [216] | 2" [51]      | 3-3/4" [95] | 9.5 [4.3]        |



To learn more about the Zurn Wilkins NR3XL Pressure Regulating Valve, call your local representative at the JPH Group for help in selecting the right regulator. JPH can also help with finding the necessary water district rebate forms.

Call today at 916-714-0061 or visit [www.JPHgroup.com](http://www.JPHgroup.com)